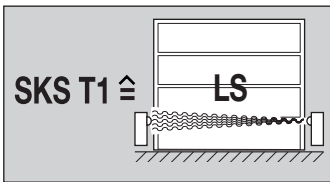
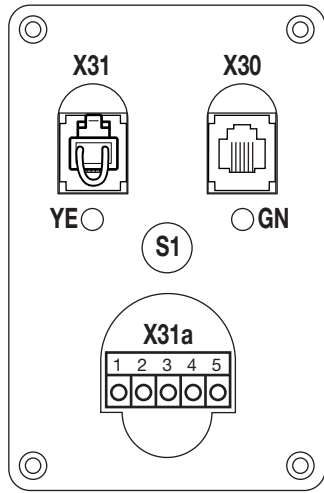
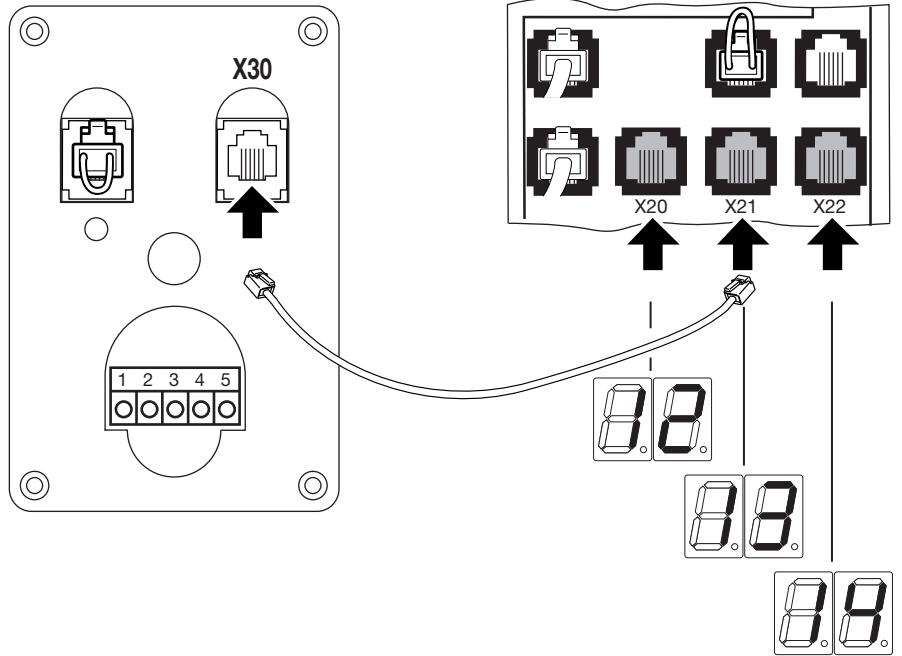


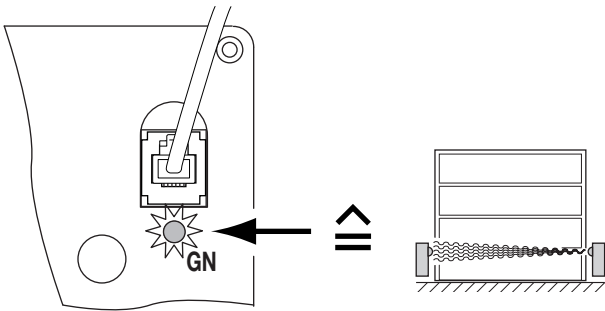
SKS T1



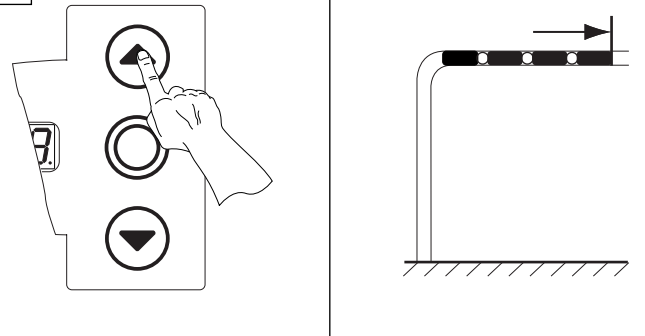
1



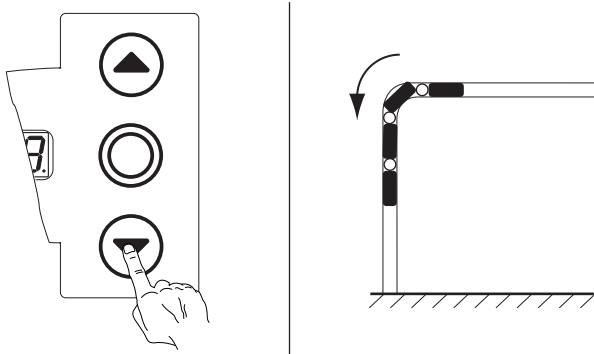
1.1



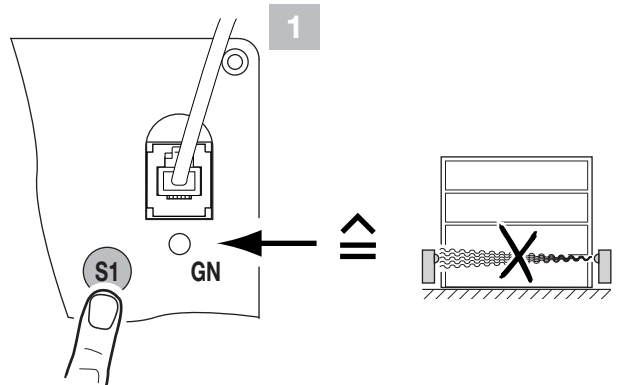
1.2



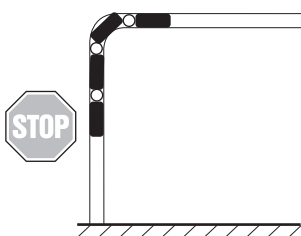
1.3



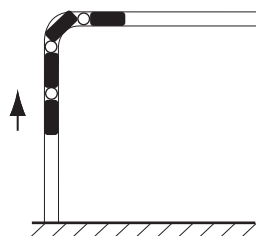
1.4



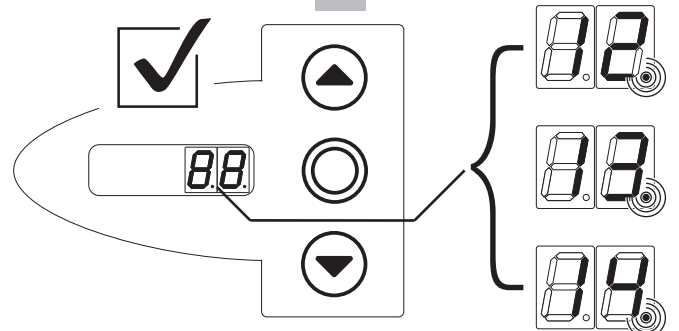
2



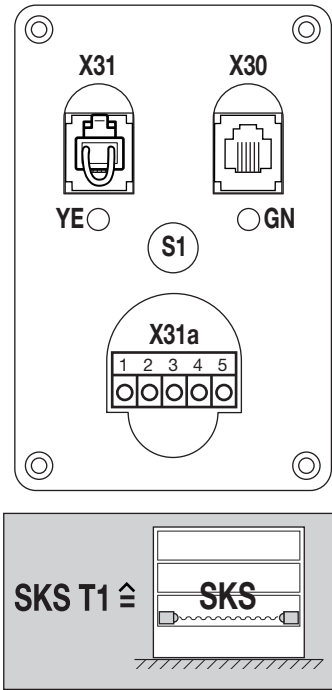
3



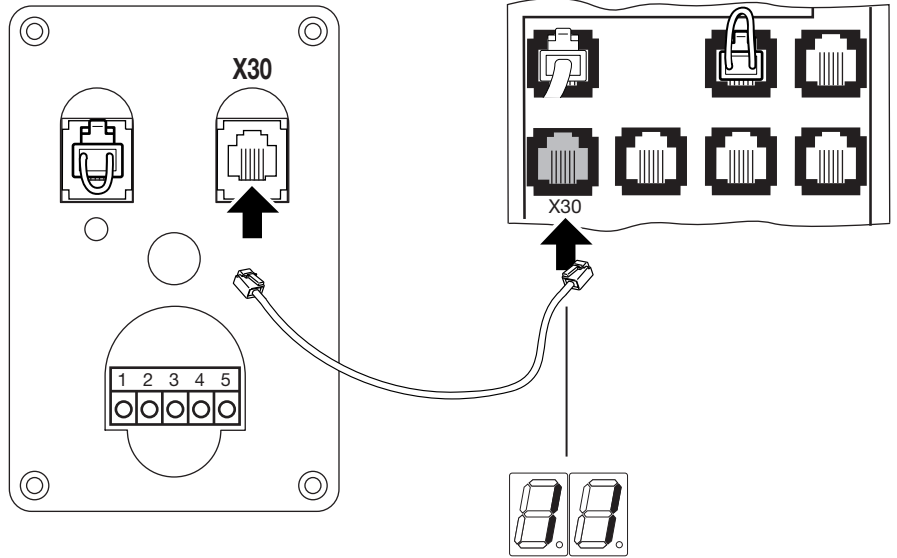
4



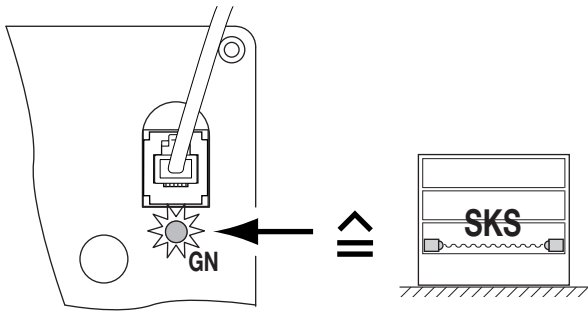
SKS T1



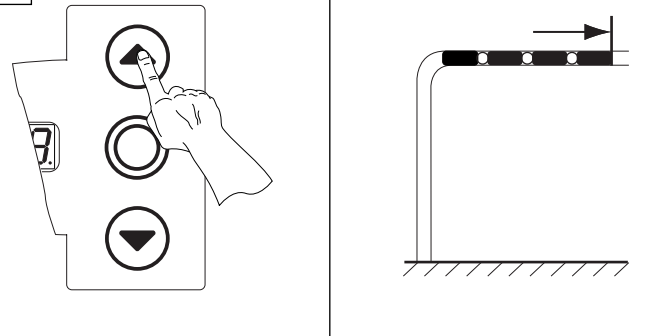
2



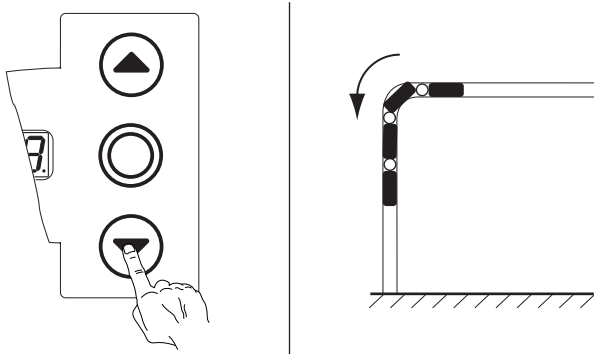
2.1



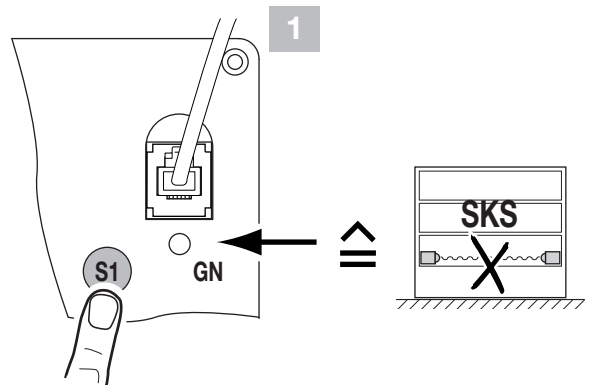
2.2



2.3

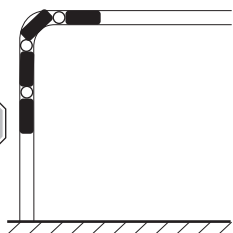


2.4

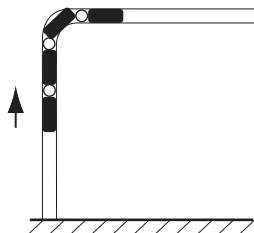


2

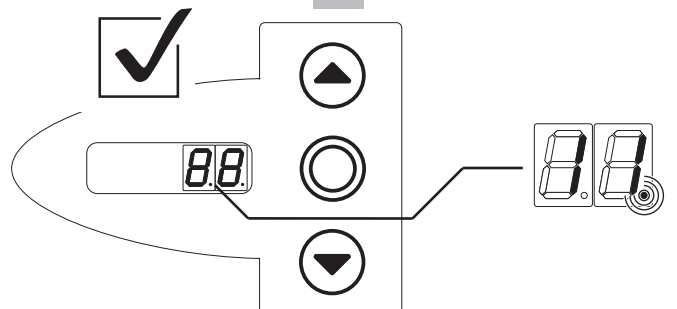
STOP



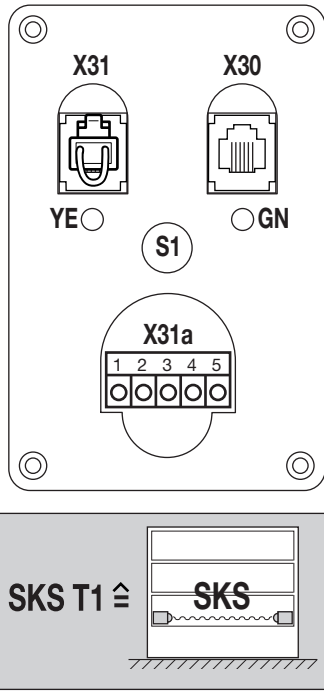
3



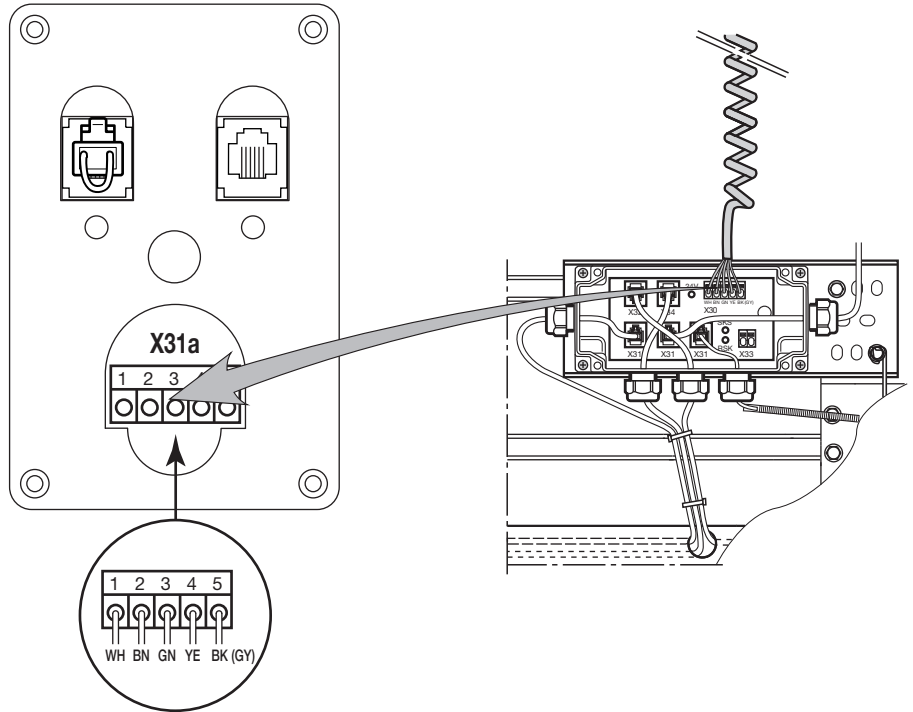
4



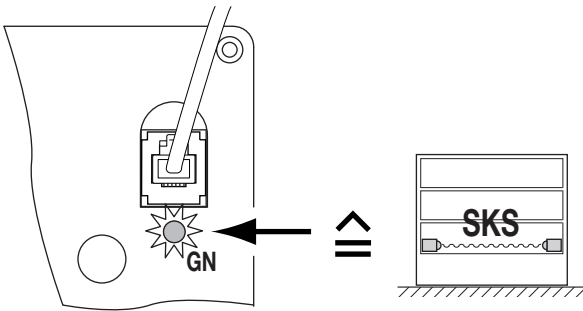
SKS T1



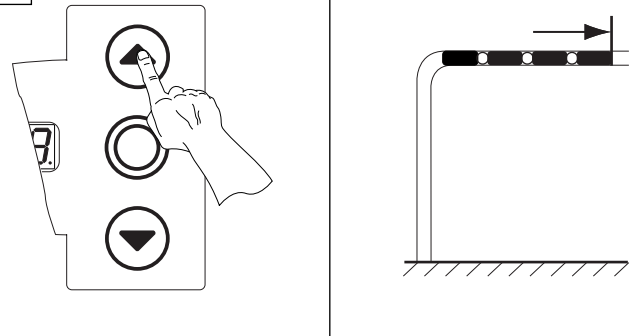
3



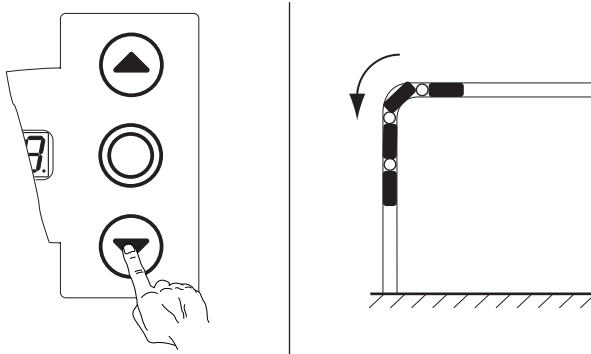
3.1



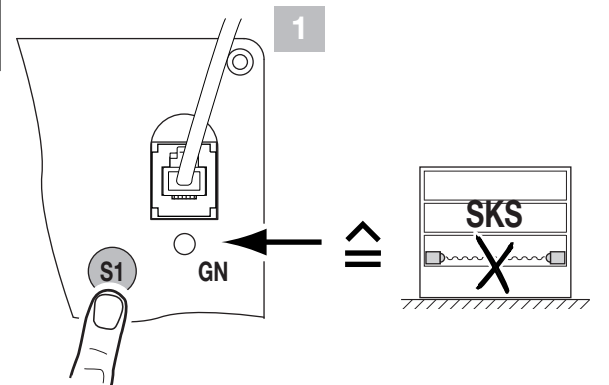
3.2



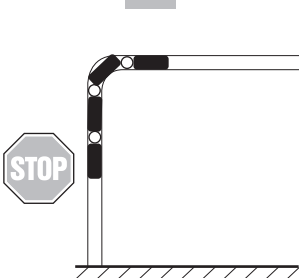
3.3



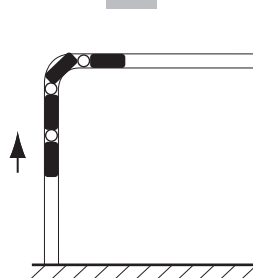
3.4



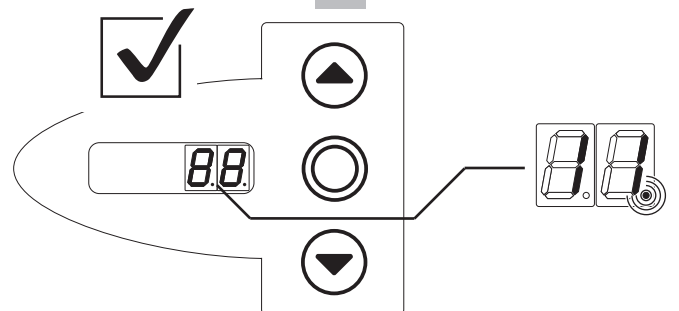
2



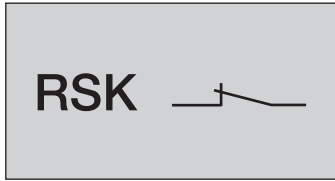
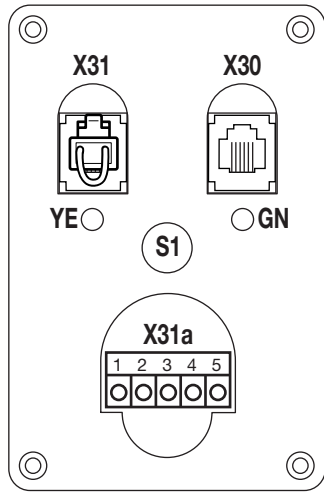
3



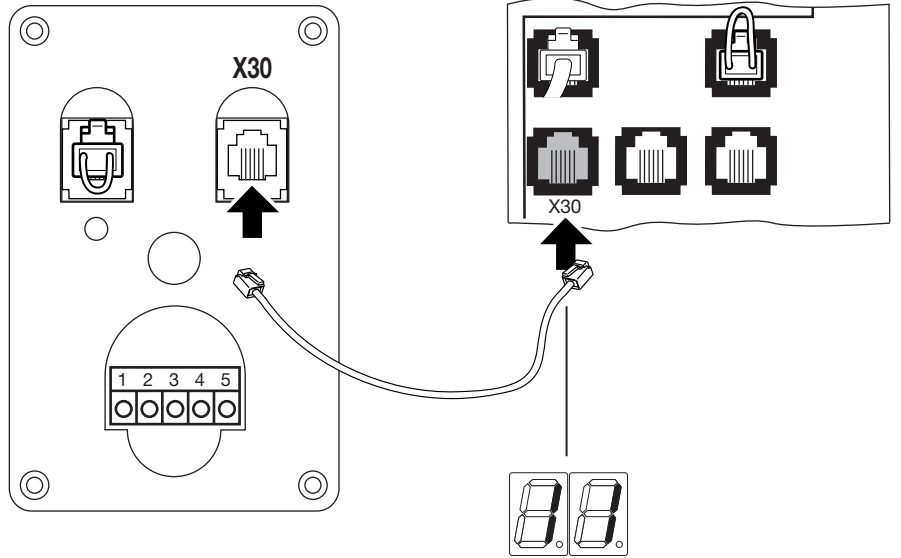
4



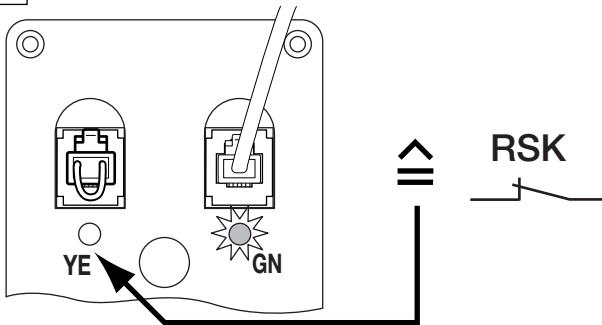
SKS T1



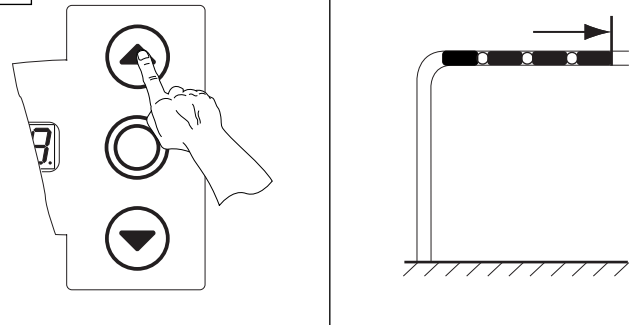
4



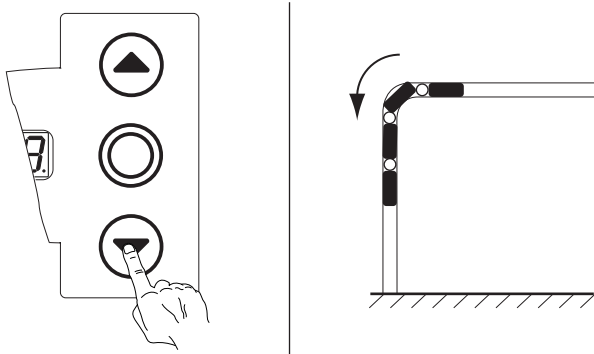
4.1



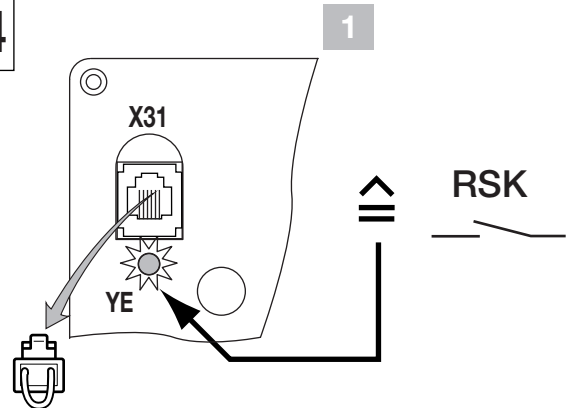
4.2



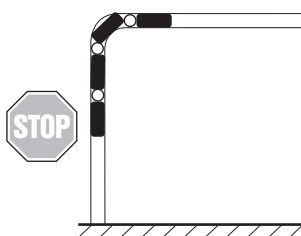
4.3



4.4



2



3

